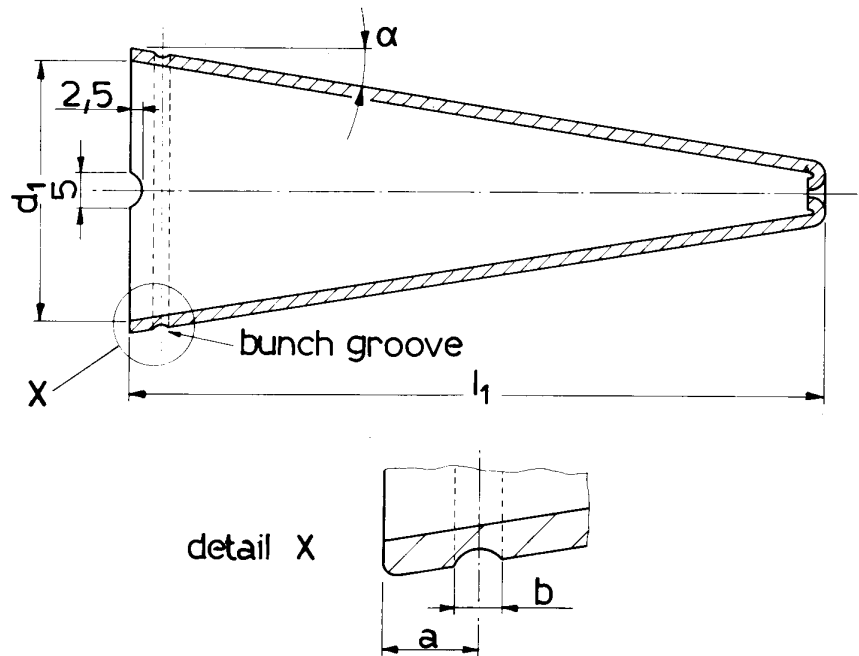


FAVRETTO S.r.l.

**MOST COMMON PAPER CONES AND
CYLINDRICAL TUBES FOR NATURAL FIBRES**

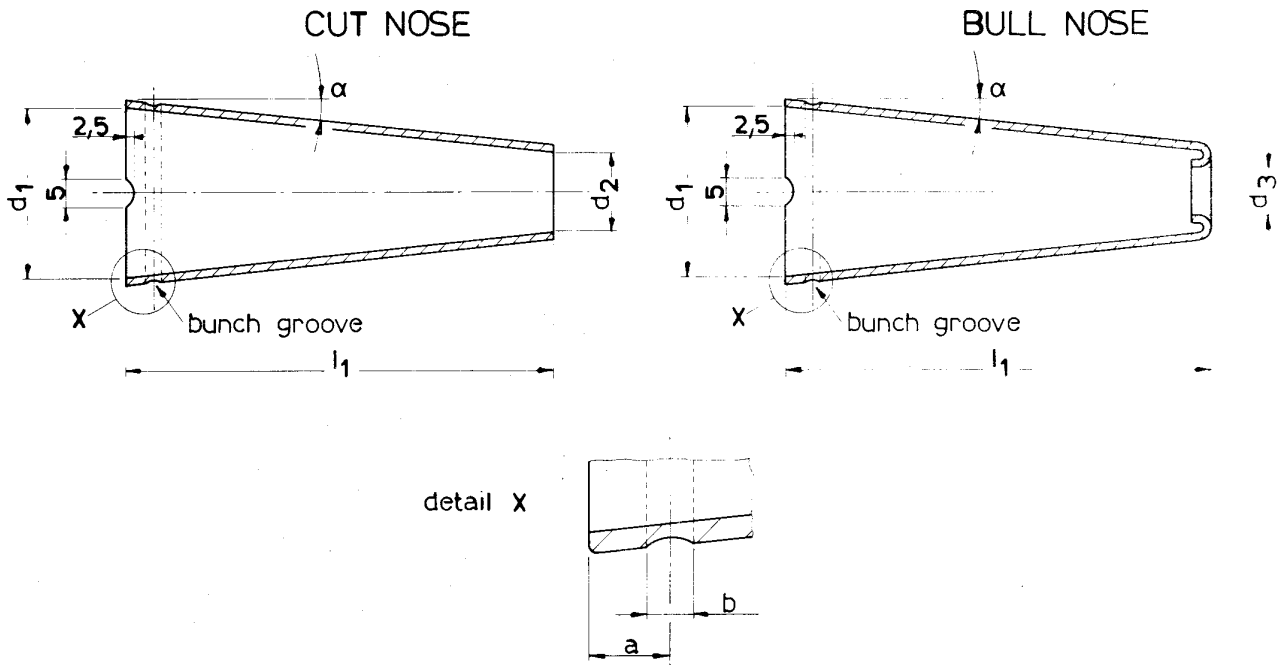
9°15'



α	d_1			l_1	
9°15'	65			171	
	65,5			175	
	65,5			178	

- NOTES:
- Length and diameters are in mm
 - Weight is in grams
 - Execution with or without groove and/or notch available upon request

5°57'

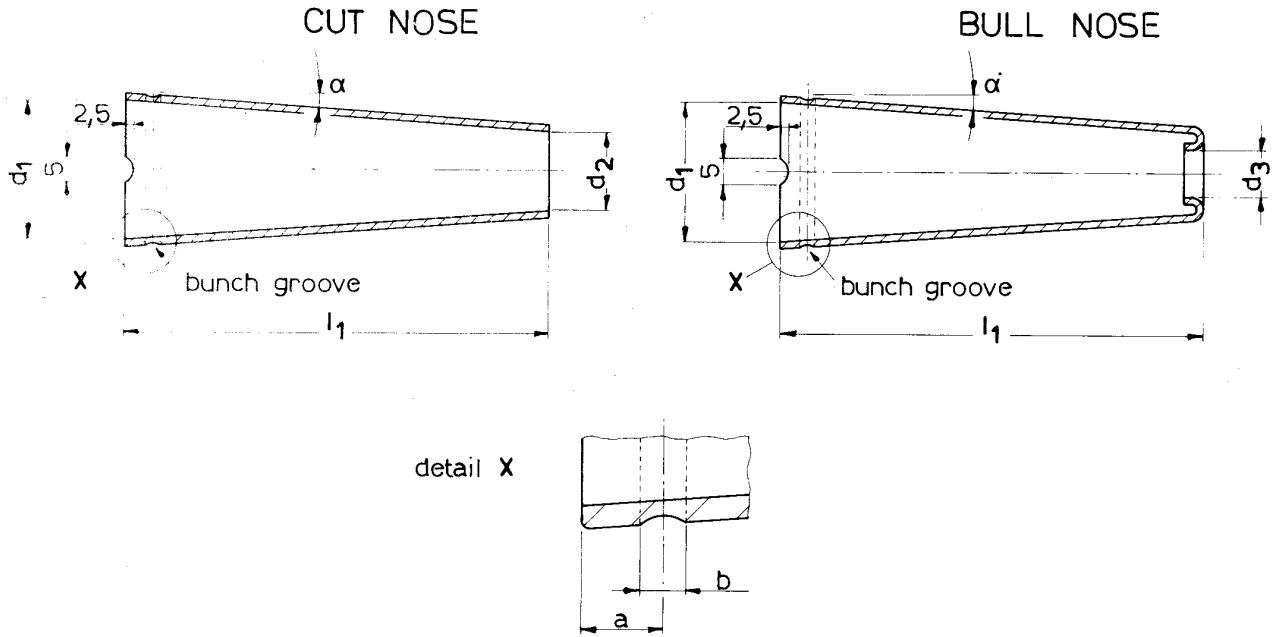


α	d_1	d_2	d_3	l_1	
5°57'	63,6	33	22	171	
	63,6		22	175	
	64,5		22,5	170	
	64,5		22,5	175	
	65		21,5	170	
	65,6		23	170	
	65,6		23	175	
	68		28	170	
	68		29,5	170	
	68		32	170	
	71		19	220	
	71,5		19	228	
	72		20	227	

NOTES:

- Length and diameters are in mm
- Weight is in grams
- Execution with or without groove and/or notch available upon request.

4°20'

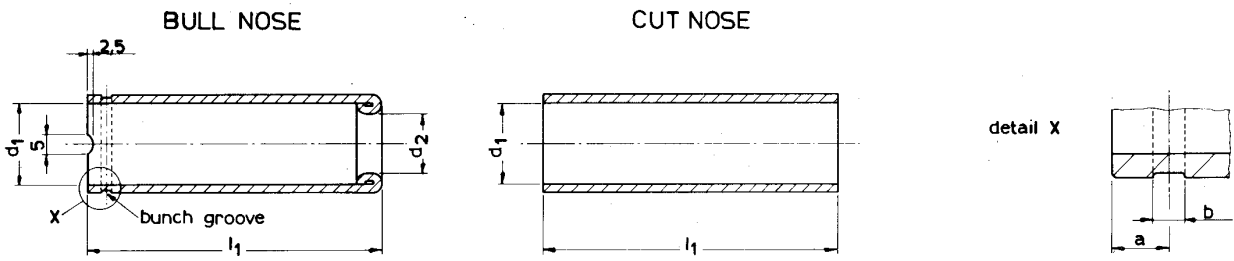


α	d_1	d_2	d_3	l_1	
4°20'	55	33		145	
	58	33		170	
	58		28,3	170	
	59		27,5	170	
	59		28	170	
	59		29,5	170	
	59		32	170	
	59	33		170	
	67	33		225	
	67		28	225	
4°00'	67		29	225	
	68		29	225	

NOTES:

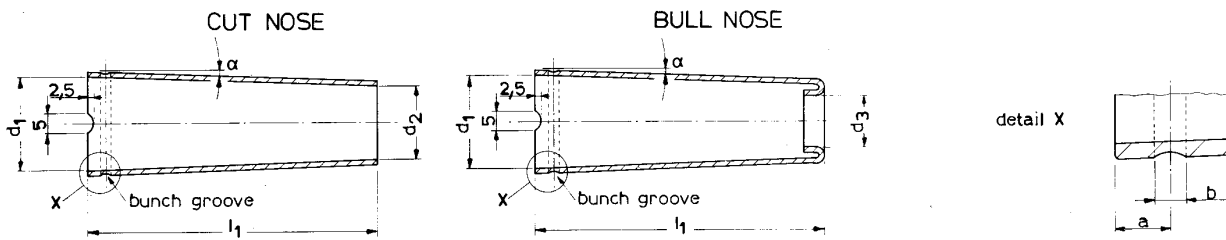
- Length and diameters are in mm
- Weight is in grams
- Execution with or without groove and/or notch available upon request.

OPEN END



d_1	d_2	l_1	grove	notch	Weight & Remarks
54		170	no	no	g. 50 - 60 - 70
54	42	170	yes	yes	most common g. 55
54	44	170	yes	yes	g. 55

0°52' 1°20' 1°51'



α	d_1	d_2	d_3	l_1	
0°52'	61.50		47	167	
1°20'	61.50	54		167	
1°51'	59		29	170	
	64	54		170	
	64		44	170	

- NOTES:
- Length and diameters are in mm
 - Weight is in grams
 - Execution with or without groove and/or notch available upon request.